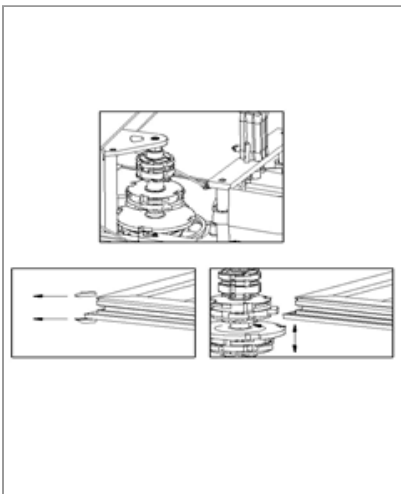


SEMI AUTO CORNER CLEANING-TORNADO

UPVC MACHINE / CORNER CLEANING MACHINE



Technical data							
Tornado	0.55 kW 400 V 3PH+PE	200mm-220 mm Dia:92 mm Dia:32 mm	L: 1000 mm H: 900 mm	7 bar	60 KWatt	77x195x150 cm 180 kg	



ALPTECH INTERNATIONAL

Address: Plot No. A/232, Road No. 21, 'Y' Lane, Wagle Estate, Thane-400 604. INDIA. | **Telephone No.:** +91 9769976747 / 22-25823203
Email.: alptechinternational@gmail.com | **Web.:** www.alptechindia.com | **PAN NO.:** AARCA9816A | **GST No.:** 27AARCA9816A1ZJ

Description:

DESCRIPTION -

TORNADO F4 CORNER CLEANER

The TORNADO F4 corner cleaner can host 4 groups of cutters for removing the weld spew from the outside corner.

Completely automatic work cycle with pneumatic locking of the profile and automatic feeding of the cutter group ensures a fast and accurate finish.


TECHNICAL SPECIFICATIONS:

- Automatic corner cleaning machine with 4 cutter groups that can be adjusted from the control panel
- Adjustment of milling depths is set by 4 adjustable mechanical stops, specific for each group
- Automatic frame positioning and start cycle upon detection of profile
- Rotating white/coated profile knives

WORKING CYCLES:

- Knives only
- Cutters only
- Knives and cutters

Product Code: PRO-274

Country:  Italian

HSN Code: 84778090

Unit: 0

Gross Weight: 200KG

Net Weight: 180KG

Dimension: L900*W1030*H1500